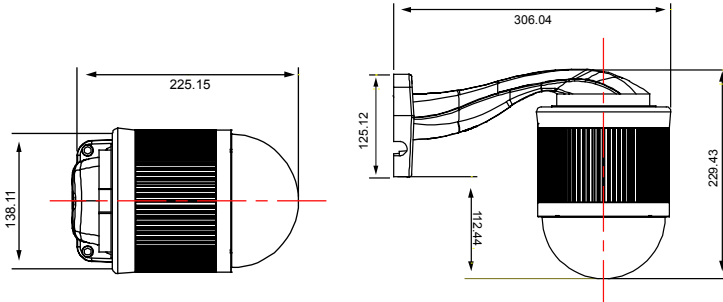


# AMGP321



- High Image Quality
- High-Speed Pan/Tilt Mechanism and Auto-Focus Zoom Lens
- Auto Tracking Function to Following Intruders
- Remote-Controllable Direct Panning and Tilting
- Preset Points and Auto Scan
- Advanced White Balance Function
- Graphical On-Screen Display
- Vandal Proof Case Design
- Text Display of Camera Title



Model	AMGP321
Signal System	NTSC or PAL
Pick-up Element	1/4" Sony Color Super HAD CCD image sensor
Number of Pixels	768(H)*494(V)<NTSC> / 752(H)*582(V)<PAL>
Resolution	480TV lines
Min. Illumination	0.3 Lux / F1.6
S/N Ratio	More than 48dB (AGC off)
Video Output	1.0 Vp-p. 75Ω
BLC	On / Off
Gain Control	Low, Medium & High / Off
Sharpness	Low / Medium / High
White Balance	Auto
Camera Title	10 characters
Auto Tracking	Yes (combined with auto zoom focus tracking)
Focal Length	f3.9 mm ~ f85.9 mm
F-number	F1.6 (Wide) ~ 3.7 (Tele)
Viewing Angle	4-60
Auto Electronic Shutter	1 / 60 (1/50) to 1 / 100,000 sec.
Auto Focus	Manual / Auto
Pan Range	360
Pan Speed	360/ 1 sec
Tilt Range	90
Tilt Speed	0~ 90under 1 sec
Zoom Ratio	22X optical zoom
Zoom Speed Approx.	7s (Tele ~ Wide)
IP Rating	IP67
Ambient Operating Temperature	-10°C ~ 40°C (14°F ~ 104°F)
Power Source	(±10%) DC12V
Current Consumption	1.5 A (max)
Dimension	(mm)** 145(Ø) x 184(H)
Gross Weight	(g) Approx. 1.2 kg
Optional Bracket	Wall-mounted
Optional Device	Keyboard controller

Controler Required for Self - tracking



1777 Atlanta Ave.  
Suite G6  
Riverside, CA 92507  
888-731-1436  
www.amgctv.com